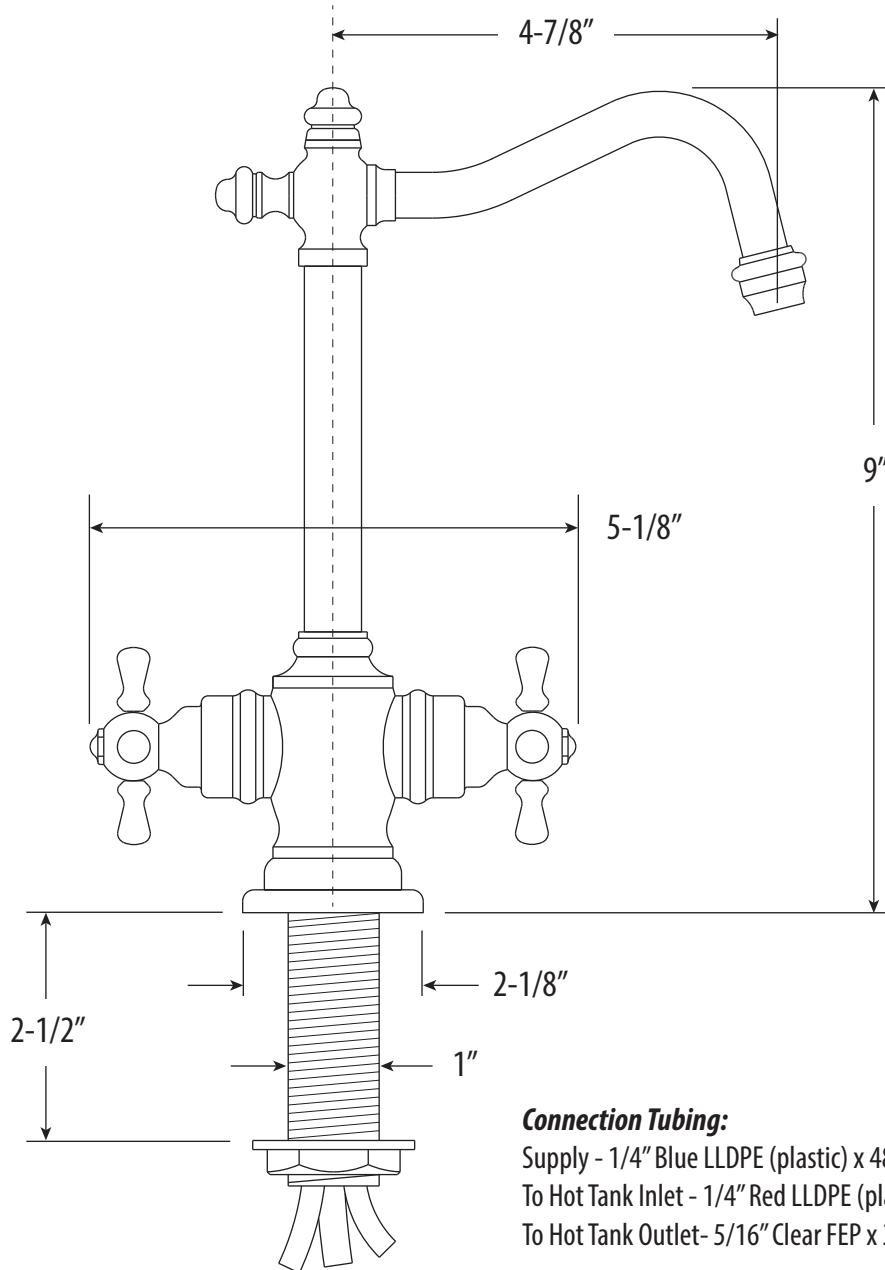


## ANNAPOLIS HOT AND COLD FILTRATION FAUCET / CROSS HANDLES

# 1150HC

- MAX COUNTER THICKNESS 2-1/2"
- INSTALL HOLE SIZE ADAPTABLE UP TO 1-3/8"



DIMENSIONS MAY VARY AND ARE SUBJECT TO CHANGE. NO RESPONSIBILITY IS ASSUMED FOR USE OF SUPERCEDED OR VOIDED DATA

