

Foster Hoods

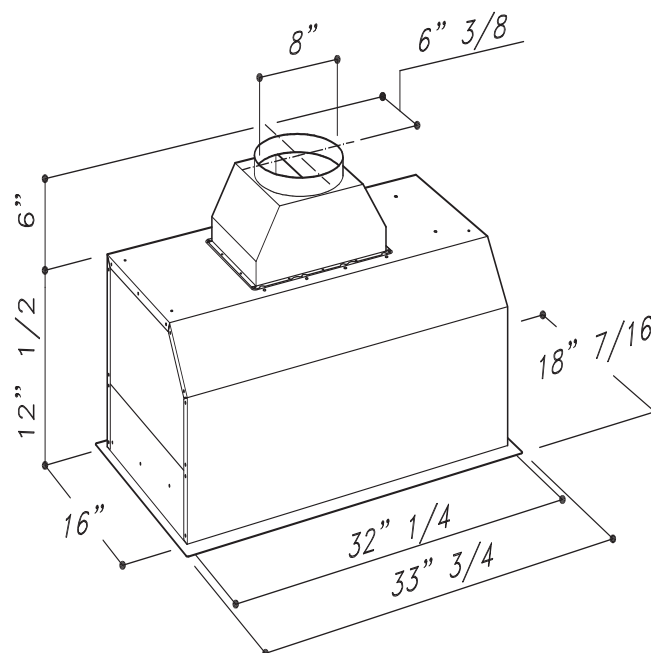
Quadra 36" - **2458 901**

Model	Quadra 36"
Hood Type	Built in suction hood
Hood finishing	Satin Finish stainless steel
Dimensions	33 3/4" x 16"
control type	button panel
Speed	4 speed
Grease filters	commercial style baffle filters
Charcoal filters	optional
Lighting	2 x 4W LED Spotlight - 5000K
Delay off timer	yes
Light switch	yes
Extractable oil collector	yes
Air Outlet	ø 8"
Motor	external motor
model	EBM dual motor
Air flow rate	1100 CFM
Pressure	800 Pa
Noise Level	66 dBA
electrical requirements	120VAC - 60Hz
Max Amp usage, power rating	8A

accessories

charcoal filters	n°1 filter kit cod. 9700 900
telescopic chimney	2460 901
adjustable pro liners	CORNICI PER INSTALLAZIONE SU901

Certifications	CSA certified for US & Canada
-----------------------	--



Rectangular opening: 32" ^{13/32} 16" ^{3/16}