



AMERICAN STANDARD

# RANDALL™

## ROBE HOOK



- Solid brass construction
- Concealed mounting
- Bottom hook pivots
- Includes assembly hardware

### AVAILABLE FINISHES

Polished Chrome  
Brushed Nickel  
Platinum Nickel  
Satin Brass

### FINISH CODE

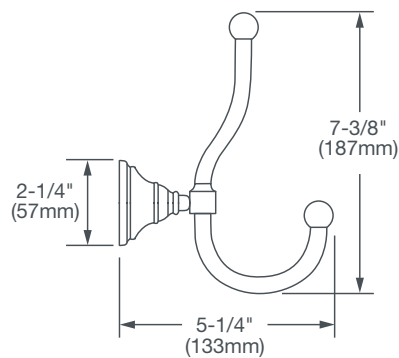
100  
144  
150  
427

### DESCRIPTION

Robe Hook

### PRODUCT NUMBER

D35102210.XXX



**IMPORTANT:** These measurements are subject to change or cancellation.  
No responsibility is assumed for use of superseded or voided pages.