

**61" LEONARDO
CAST IRON
SLIPPER TUB**

Cat. No.
CTSN61B



L: 61-3/8"
W: 30-1/2"
H: 23-3/4" - 30-3/8" (from floor to top of tub)

Water depth: 16-7/8" to top of tub
Water depth: 13" to overflow

Features:

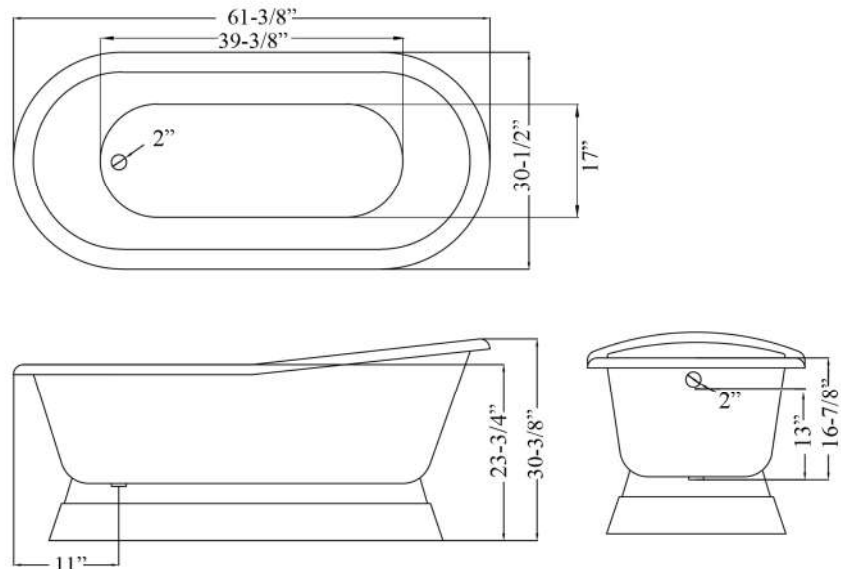
- ▶ Inside finish is white enamel
- ▶ No faucet hole
- ▶ Continuous rolled rim
- ▶ Pre-drilled overflow hole
- ▶ Tub exterior is white (epoxy)
- ▶ Cast iron pedestal
- ▶ Tub is thoroughly inspected before shipment



Custom Colors Available (inside of tub is always white enamel):
Painted bathtubs are considered "special order" and are not returnable
\$160 Bisque or Black \$250 Designer Color

The following is recommended for CTSN61B tubs:

- Faucet: **#4602, 4604 or 7082**
- Freestanding Bath Supplies: **#4502**
- Leg Tub Drain: **#5599E**



Note

To prevent the accumulation of standing water under your tub base we recommend using a bead of silicone between the base and the floor.

Gallon Capacity: 42
Shipping Weight: 477 lbs.
Empty Weight: 407 lbs.
Filled Weight: 758 lbs.